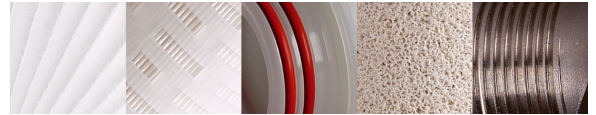


72 SERIES

Hygienic Single Filter Housing



The **72 Series** Hygienic single cartridge housing is available for elements up to 30" long. The 'T' style configuration is ideally suited to small pilot scale or laboratory based processes for pressures up to 10 bar g.

Base mounted, this free standing conventionally styled housing will suit processes where there is a need to allow easy access to all internal areas. This helps ensure the general cleanliness of the process system in which the filter is to operate.

Having no loose internal components ensures easy, fast sanitisations and clean down procedures.

The **72 Series** housing will accept the full range of Amazon Single Open End industry standard cartridges ranging from 0.03 to 40µm with nominal lengths of 5, 10, 20 and 30".

Product Features

- 'T' style construction with a high specification hygienic finish, electropolished inside and out
- Quick release Vee clamp closure for ease of access
- No loose internals for trouble free operation
- 6 different vent options
- Staubli connections available
- PED and ATEX compliant
- CE Marked



Features and Benefits

- Standard single open end cartridge fitting, using Bayonet lock code 7 for forward and reverse flow
- 316L construction for maximum corrosion resistance
- Every housing is etched with a serial number for full traceability
- Wide range of options available for the connection size and style, cartridge lengths and materials of construction
- 72B version with single piece domes on 20 & 30" options
- Enhanced internally geometry to aid drainage and eliminate product hold-up

Product Range

Amazon Filters design and manufacture an extensive range of liquid filtration systems, providing one of the widest selections of filtration vessels, depth filters and pleated cartridges available today, ensuring excellent process and filter compatibility. As one of Europe's leading manufacturers of filtration systems, Amazon Filters is able to offer a solution to meet all filtration requirements. Amazons' filters are manufactured in clean room conditions and all products come with detailed Product Validation Guides and Technical Support documentation.



AMAZON

72 Series Technical Data

Maximum Operating Conditions

Pressure Range:	Liquid:	FV / 10 bar g
	Gas Group 1:	FV / 10 bar g - 5" 10" 20" & (72B 20") FV / 7 bar g - 30"
Temperature Range:	Gas Group 2:	FV / 10 bar g
		-10°C / 150°C

Materials of Construction

Body and Closure:	316L St. Steel
Clamp:	304 St. Steel

Finish

Vessel:	0.8µm Ra mechanically polished inside and out + final Electropolish
---------	---

Connections

Inlet / Outlet:	1" Tri Clamp
-----------------	--------------

Model	Dimensions (mm)					Volume (Litres)	Dry Weight (Kg)
	A	B	C	D	E		
720107VF10L1PS	386	95	-	196	250	1.6	4.2
720117VF10L1PS	505	93	-	195	350	2.6	4.6
720127VF10L1PS	760	93	-	195	600	4.6	6.4
720137VF10L1PS	1015	93	-	195	600	6.6	7.36

PED*/PESR** Status:

Compliant with PED 2014/68/EU and PESR 2016 No. 1105

Fluid Groups:

Gas Group 1 + 2
Liquids Group 1 + 2

Marking:

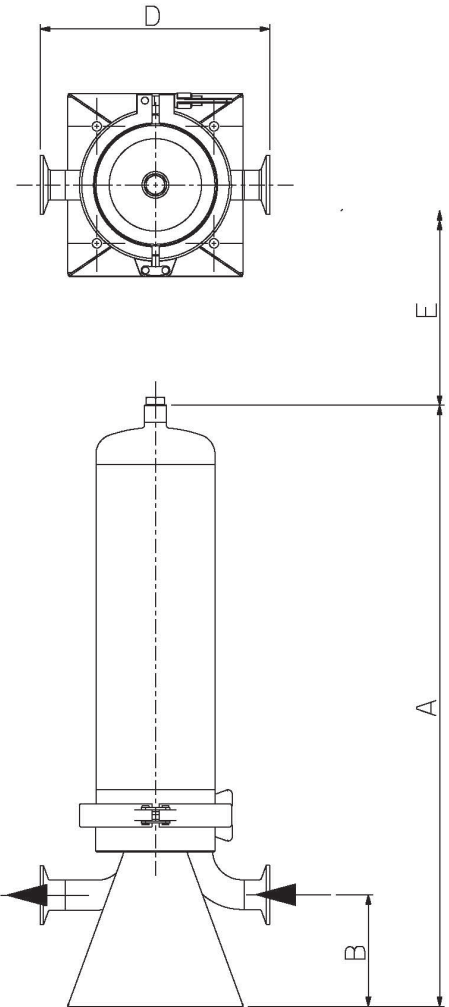
CE

Exceptions:

Group 1 liquids - Explosive

ATEX:

Compliant with 2014/34/EU and Explosive Atmosphere Regulations 2016
II 2G Ex h IIC T150 Gb
II 2D Ex h IIIC T150 Db



* Pressure Equipment Directive

** Pressure Equipment (Safety) Regulations No. 1105

Ordering Guide

Technical drawings for each individual housing showing dimensions, volume, weights, maximum temperatures and design pressures available on request.

7201	1	7	V	F	10	L	1	U	S
No of Stacks	Cartridge Length	Cartridge End Cap Style	Closure Style	Vent Options	Connection	Connection Type	Materials	Finish	Seal
7201 - 1	0 - Single 5" 1 - Single 10" 2 - Double 20" 3 - Triple 30"	7 - Code 7	V - Pressed Vee Clamp	F - ¼" BSPF Vent G - ¼" Hygienic Vent Valve H - 1½" TC Vent Only, No Clamp / Blank J - 1½" TC with ¼" Hygienic Vent Valve, No Clamp / Blank R - ¼" Hygienic Vent Valve Assembly with PTFE Seal and Staubli RBE.03.6025 S - 1½" T / C with ¼" Hygienic Vent Valve assembly with PTFE Seal and Staubli RBE.03.6025, No Clamp / blank	10 - 1"	C - EN1092-1 Flange PN16 H - ASME Flange 150# L - BS4825-3 Tri Clamp	1 - 316 st.st (L Grade)	P - 0.8µm Ra Internal Polish + Electropolish U - 0.4µm Ra Internal Polish + Electropolish	E - Ethylene Propylene H - Gylon S - Silicone V - Viton

Example: 720117VF10L1US = 72 Series, 1 x 10" Code 7 cartridge, pressed vee clamp closure, ¼" BSPF vent, 1" Tri Clamp connections. St. Steel construction with 0.8Ra Internal polish + electropolish.
* 72B1 - Single piece dome on 20 & 30" only.

AMAZON FILTERS LTD.

Albany Park Estate, Camberley, Surrey, GU16 7PG, ENGLAND

Tel: +44 (0) 1276 670 600 Email: sales@amazonfilters.co.uk Web: www.amazonfilters.com