

# 86A SERIES

## Bag Filter Housing

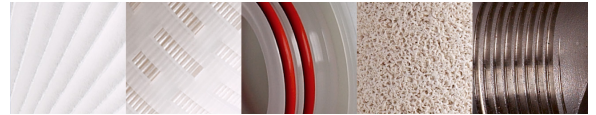
The **86A Series** has been designed to meet the demands of most liquid processing applications where bag filters have been selected. Our novel cast head incorporates an integral one piece inlet connection with top mounted vent point.

The robust construction suits all areas in chemical and liquid processing plants. With minimal product hold up volumes and easy access to the disposable filter bag via the retained hinged lid, operators will always favour this style of housing when given a choice. Safety is also greatly improved for hazardous or high temperature fluids. The top entry, bottom outlet configuration holds almost 20% less in volume than the conventional side entry housing.

The **86A Series** filter assembly offers a cost effective and practical filtration solution for most liquid applications.

Available in 316L Stainless Steel it is suitable for operating at pressures of up to 10 bar g at 150°C and has a flow capacity of up to 30m<sup>3</sup>/Hr. Two housing sizes are available for the 7" diameter bags, P1 (16") single length and P2 (32") double length. Our perforated basket accommodates most standard commercially available filter bags found on the market today including steel ring, molded polypropylene and many other types.

| Accessories                       | Part Number |
|-----------------------------------|-------------|
| Pressure Gauge and Vent Valve Kit | 60S000016   |
| Single Displacement Pod           | 80S011S01   |
| Double Displacement Pod           | 80S012S01   |
| Vent Valve                        | 60S000010   |
| Dirty drain Valve                 | 60S000011   |



## Features and Benefits

- Investment cast top cover and inlet connection
- Swing bolt assemblies with eye nuts
- Vent tapping point on cover
- Wide range of options available for connection sizes and types
- Each housing is etched with a unique serial number for full traceability
- Housing customisation services available
- Dirty drain point

## Product Range

Amazon Filters design and manufacture an extensive range of liquid filtration systems, providing one of the widest selections of filtration vessels, depth filters and pleated cartridges available today, ensuring excellent process and filter compatibility. As one of Europe's leading manufacturers of filtration systems, Amazon Filters is able to offer a solution to meet all filtration requirements. Amazons' filters are manufactured in clean room conditions and all products come with detailed Product Validation Guides and Technical Support Documentation.



# 86A Series Technical Data

## Maximum Operating Conditions

Pressure Range: Liquid: FV / 10 bar g  
 Gas Group 2: FV / 4.5 bar g  
 Temperature Range: -10°C / 150°

## Materials of Construction

Body and Closure: 316L St.Steel  
 Bolting: Carbon Steel

## Finish

Vessel: Bead blasted inside and out  
 Swing Bolts: Zinc plated carbon steel (Optional Stainless Steel)

## Connections

Inlet / Outlet: 2" BSPM/Flange  
 Vent: 1/4" BSPF with Plug

| Model          | Dimensions |   |         |     |     | Volume (Litres) | Dry Weight (kg) |
|----------------|------------|---|---------|-----|-----|-----------------|-----------------|
|                | A          | B | C       | D   | E   |                 |                 |
| 86A11UHC20A1BE | 464        | - | 180/315 | 170 | 350 | 13.8            | 24              |
| 86A12UHC20A1BE | 824        | - | 0/315   | 170 | 700 | 25              | 29.5            |

## PED\*/PESR\*\* Status:

Compliant with PED 2014/68/EU and PESR 2016 No. 1105

## Fluid Groups:

Liquids Group 1 + 2  
 Gas Group 2

## Marking:

CE

## Exceptions:

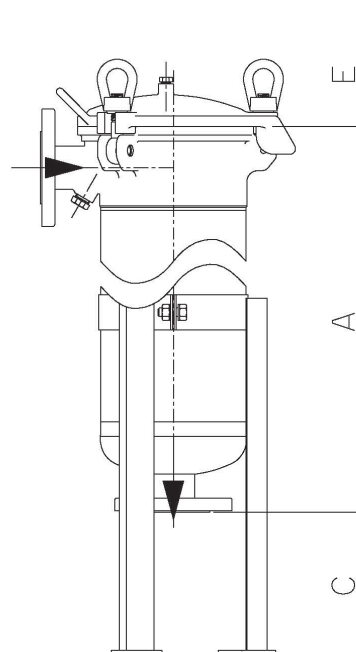
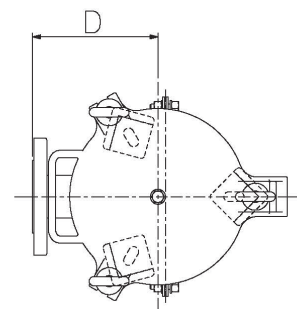
Group 1 liquids - Explosive

## ATEX:

Compliant with 2014/34/EU and Explosive Atmosphere Regulations 2016  
 II 2G Ex h IIC T150 Gb  
 II 2D Ex h IIIC T150 Db

\* Pressure Equipment Directive

\*\* Pressure Equipment (Safety) Regulations No. 1105



## Ordering Guide

Technical drawings for each individual housing showing dimensions, volume, weights, maximum temperatures and design pressures available on request.

| 86         | 1                        | U   | H  | C   | 20         | C  | 1                           | B                | V  |
|------------|--------------------------|---|--|---|------------|--|-----------------------------|------------------|--|
| No of Bags | Bag Length               | Bag Collar Style/Size   | Bolting  | Closure                                       | Connection | Connection Type  | Materials                   | Finish           | Seal   |
| A1 - 1 Bag | 1 - Single<br>2 - Double | U - Universal (7")<br>T - Universal (7") + Perforated Base<br>N - No Basket | H - Zinc Plated Carbon Steel Swing Bolts<br>W - St.Steel Swing Bolts | C - Adjustable Legs (standard)<br>N - No legs | 20 - 2"    | A - BSPM<br>C - EN1092-1 Flange PN16<br>H - ASME Flange 150# | 1 - 316 St. Steel (L Grade) | B - Bead Blasted | E - EPDM<br>V - Viton<br>F - FEP / Silicone<br>S - Silicone<br>G - FEP / Viton |

Example: 86A11UHC20C1BV = 86A Series, Single length bag, Universal 7" bag collar, Hinged cover with swing bolts, Mounted on Adjustable Legs, 2" EN1092-1 Flange PN16 connections. 316L St.Steel with bead blasted finish and Viton seals.

# AMAZON FILTERS LTD.

Albany Park Estate, Camberley, Surrey, GU16 7PG, ENGLAND

Tel: +44 (0) 1276 670 600 Email: sales@amazonfilters.co.uk Web: www.amazonfilters.com